

WamBam

Fun Name. Serious Fence.

TRADITIONAL

PREMIUM
VINYL ARCHED
TOP GATE
(6' H X 4' W)

ASSEMBLY
INSTRUCTIONS
VF13007

60 MIN

Approximate assembly time

*Want to see a video on how to
assemble this product?*

Scan the QR code



GENERAL INFORMATION



IMPORTANT

- ⊕ Check the inside of the larger pieces in your box for other materials packed inside.
- ⊕ When assembling components, place on a non-abrasive surface (i.e. shipping box) to avoid scratching.
- ⊕ We recommend an area approximately 5'x 8' for unobstructed assembling.
- ⊕ You should not need to use excessive force when assembling components.

MISSING OR DAMAGED PARTS?

VISIT OUR WEBSITE FIRST, SO WE CAN HELP YOU RIGHT AWAY!

Although great care has been taken to ensure proper packaging and handling of this product, occasionally problems occur. If you discover any missing, damaged, or defective parts, please visit our website to order replacement parts. If you experience any further trouble with your product, please contact our customer service department.

 parts.nychbrands.com

 hmmm@wambamfence.com

 **704-892-5222 / 877-778-5733**

Customer service agents are available to take calls weekdays from 9am-5pm EST. If you call outside of business hours, please leave a voicemail.

To help you quickly and accurately, please have reference item number **VG13007** and the specific part name which can be found on page 7. It is helpful if you can provide the batch lot which is a stamped number on the inside of the box.

NEED ASSEMBLY HELP?

If you are having problems with the assembly or installation of this product, we are happy to assist you with the process, **so please give us a call at 704-892-5222 / 877-778-5733.**

NEED TO RETURN?

If for some reason you need to return this product, please allow us to help resolve your issues first. If you still decide to return the product, **you will need to initiate the return from the company you originally purchased from.**

AVOID THESE PITFALLS!

HAVE YOU CONTACTED YOUR **LOCAL UTILITIES?**



1

You must call your local utilities before you start installing your fence to avoid puncturing any unseen underground utilities, especially electrical or gas lines. Fortunately, this is made easy for you.

- + Simply call **811** in the US or visit www.call811.com.
- + In Canada, visit www.transcanada.com/contactus.html for a list of phone numbers by province.

HAVE YOU CHECKED YOUR **LOCAL ZONING LAWS?**

2

Local zoning laws and Home Owners Associations may regulate the height, style, and placement of your fence. Some locations may even require a permit.

ARE YOU ABSOLUTELY SURE WHERE YOUR **PROPERTY LINE IS?**

3

Ensure the installation of your fence is within your property line limits.

HAVE YOU TALKED TO YOUR **NEIGHBORS?**

4

Your fence will become part of their yard too, and you'll have an easier time building it if you can have access from both sides. Besides, you may get lucky if they decide to share the cost with you.

TOOLS AND MATERIALS YOU'LL NEED

- Safety Glasses
- 1ft. Torpedo Level
- 4ft. Level
(optional String Line Level)
- 2in. x 2in. x 6in. Inch Wood "Spacer" Block
(2 for each panel)
- Cordless Drill (preferably with a high-torque setting)
- Shovel or Auger
- Any Power Or Hand Saw With A Fine-Toothed Blade
- String Line Stakes
- Spool of String
- Tape Measure

MURPHY'S VINYL FENCE LAWS

LET'S PRETEND (JUST FOR A MOMENT) THAT YOU LIVE IN A PERFECT WORLD.

To get started, we are going to walk you through how you would install the fence illustrated below.

This is the perfect scenario with no curve balls. The ground is level, your fence sections all work out evenly, the birds are chirping, and the sky is blue.

Now back to reality. Your situation is almost guaranteed not to be like this. That's why we created "Murphy's Vinyl Fence Laws". This is a guide that outlines some of the different obstacles you could run into while installing your fence and how to overcome them. You can locate this information at: <https://wambamfence.com/knowledgebase/tag/murphys-fence-laws>

GENERAL INFORMATION

1. Read over fence instructions first.

Your gate and fence will work better together if you first take the time to read and understand your fence.

2. Pre-assemble the gate frame.

Please do not screw the gate frame together until you have temporarily assembled the gate frame. In other words, do a dry run first. This will ensure:

1. That you have everything necessary to complete the gate.
2. That you will have assembled the gate frame in the correct order.
3. All of the pieces fit and function properly.
4. The gate height and width are similar to the measurements shown on page six.

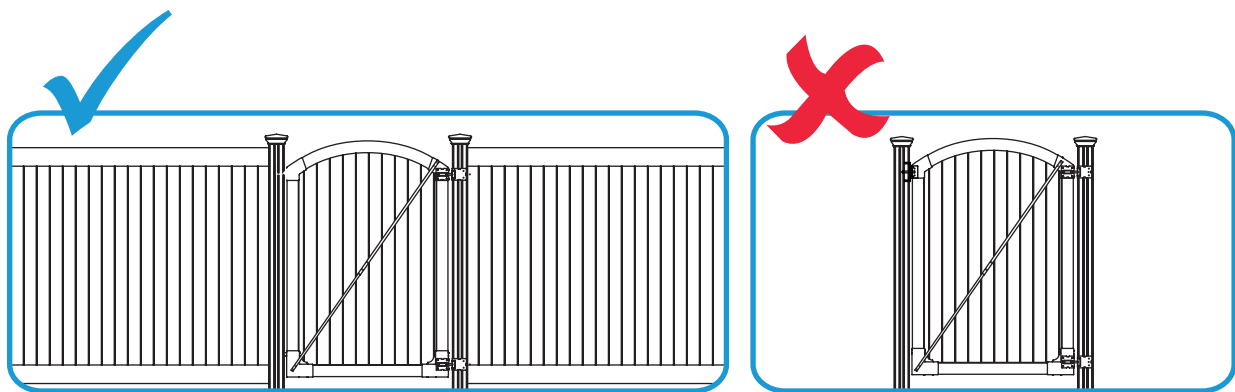
It's easier to troubleshoot when things are not screwed together. After you assemble your gate correctly, please disassemble as necessary, and use the 1¼" self-drilling stainless steel screws to permanently assemble the gate.

3. Install your gate posts before your fence posts.

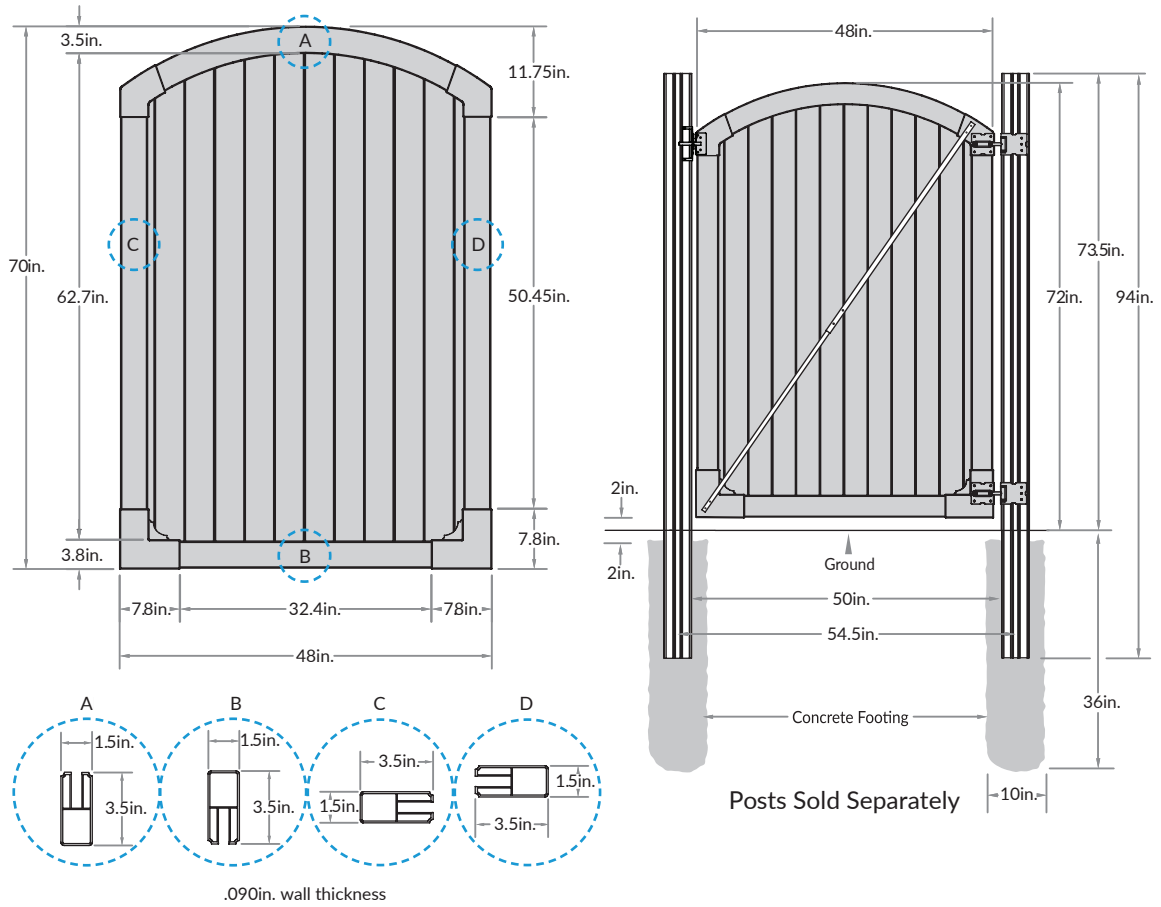
Your fence panels will be more forgiving for a custom fit than your gate. Position and install your gate posts before you do anything else.

4. Do not hang your gate system off a single non-supported post.

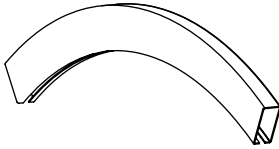
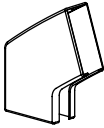
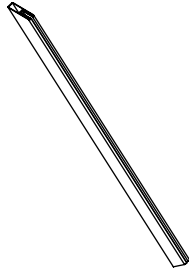

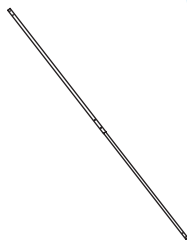
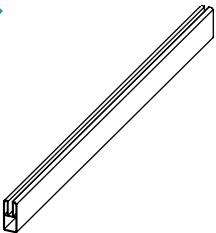
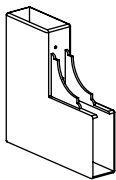



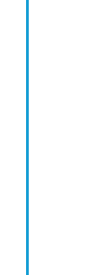
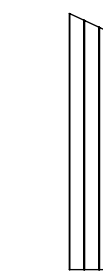


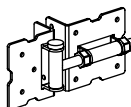
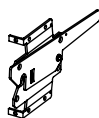
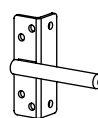
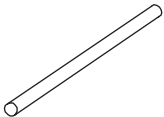
Your gate will perform better and last longer if your hinge post is connected to a panel of fence that is connected to another post. This way, the weight strain will be transferred onto two posts versus just one. Installing fence panels on both sides of your gate is ideal in all situations. If this is not possible because of space restrictions, please contact us for alternative solutions.



Detailed Product Dimensions & Specifications



STEP 1: LAY OUT MATERIALS

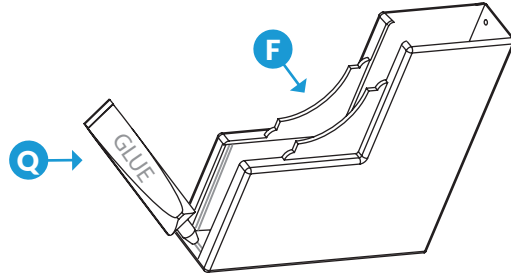
<p>A</p>  <p>Gate Arch (1) 1½" x 9" x 42¼"</p>	<p>B</p>  <p>Gate Arch Top Bracket (2)</p>	<p>C</p>  <p>Vertical Stile (2) 1½" x 3½" x 58¾"</p>	<p>N</p>  <p>1¼" Self-Drilling Stainless Steel Screw (20)</p>	
<p>D</p>  <p>Gate Brace (1)</p>	<p>E</p>  <p>Bottom Rail (1) ½" x 3½" x 47¾"</p>	<p>F</p>  <p>Corner Bracket (2)</p>	<p>O</p>  <p>1¼" Black Self-Drilling Stainless Steel Screw (24)</p>	
<p>G</p>  <p>Privacy Board 1 (1) ½" x 10⅝" x 65⅞"</p>	<p>H</p>  <p>Privacy Board 2 (1) ½" x 12" x 66⅞"</p>	<p>I</p>  <p>Privacy Board 3 (1) ½" x 12" x 66⅞"</p>	<p>J</p>  <p>Privacy Board 4 (1) ½" x 10⅝" x 65⅞"</p>	<p>P</p>  <p>2" Black Self-Drilling Stainless Steel Screw (14)</p>
				<p>Q</p>  <p>Tube of Glue (1)</p>
<p>K</p>  <p>Gate Hinge (2)</p>	<p>L</p>  <p>Latch Catch (1)</p>	<p>M</p>  <p>Latch Finger (1)</p>	<p>R</p>  <p>2¾" Hinge Tension Pin (2)</p>	

STEP 2: ASSEMBLE GATE FRAME BOTTOM AND SIDES

STEP 2.1

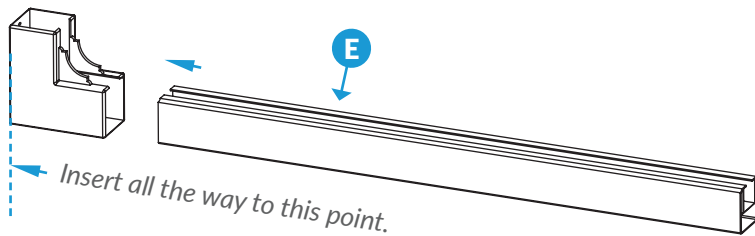
▶ Use the Tube of Glue (Q) to run a bead of vinyl weld glue around the inside of the Corner Bracket (F).

Note: Vinyl weld glue takes approximately five minutes to dry.



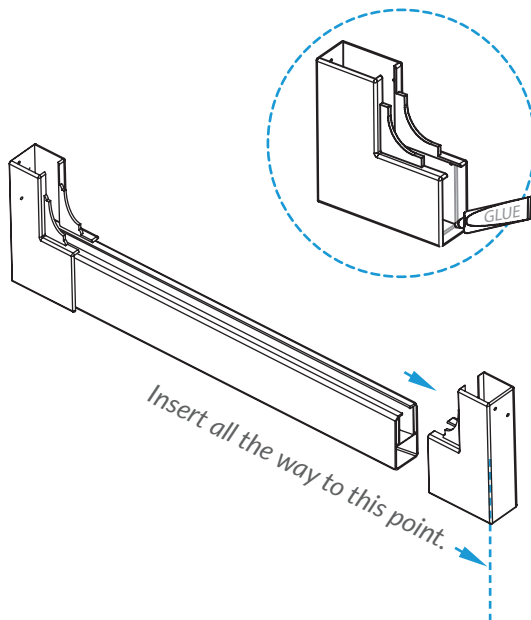
STEP 2.2

▶ Insert the Bottom Rail (E) all the way until it bottoms out inside the corner bracket as illustrated.



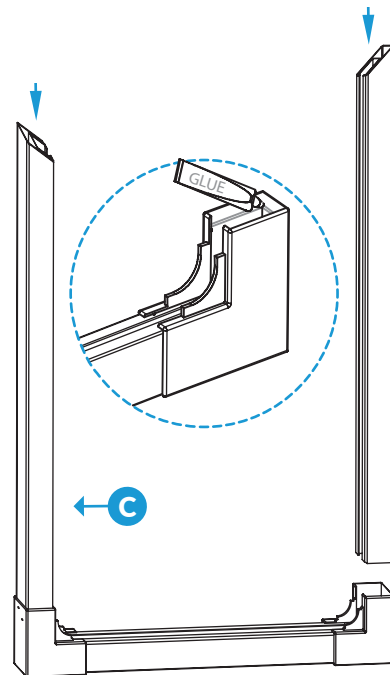
STEP 2.3

▶ Run a bead of vinyl glue around the inside of the opposite corner bracket. Insert the bottom rail all the way until it bottoms out inside the opposite corner bracket as illustrated.



STEP 2.4

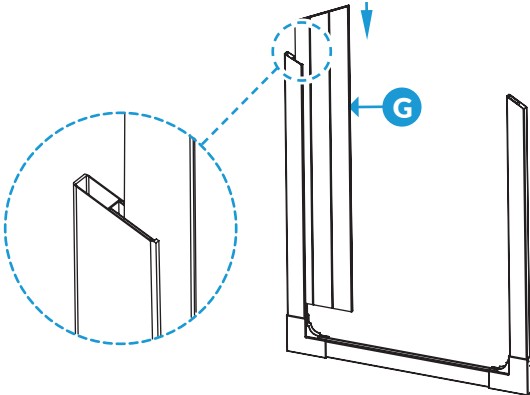
▶ Apply glue to the corner brackets and insert the Vertical Stiles (C). They will bottom out against the bottom rail.



STEP 3: INSERT PRIVACY BOARDS

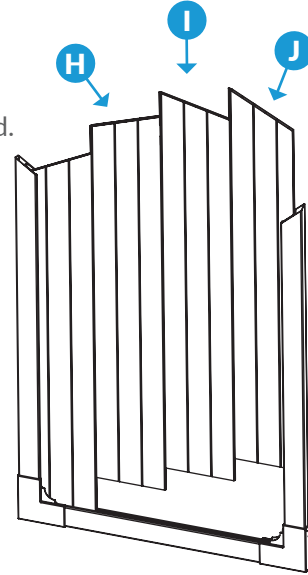
STEP 3.1

▶ Insert the tongue and groove of Privacy Board 1 (G) tightly into the vertical stile as illustrated. Continue to slide the privacy board until it bottoms out in the groove of the bottom rail.



STEP 3.2

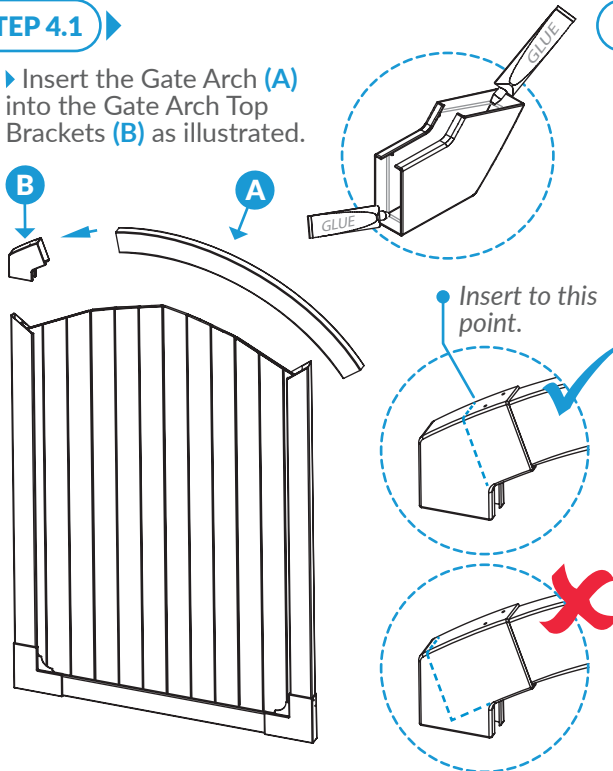
▶ Install Privacy Boards 2 (H), 3 (I), and 4 (J) as illustrated.



STEP 4: ASSEMBLE THE GATE FRAME TOP

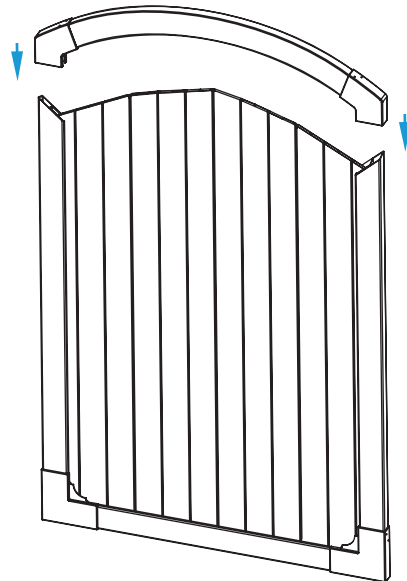
STEP 4.1

▶ Insert the Gate Arch (A) into the Gate Arch Top Brackets (B) as illustrated.



STEP 4.2

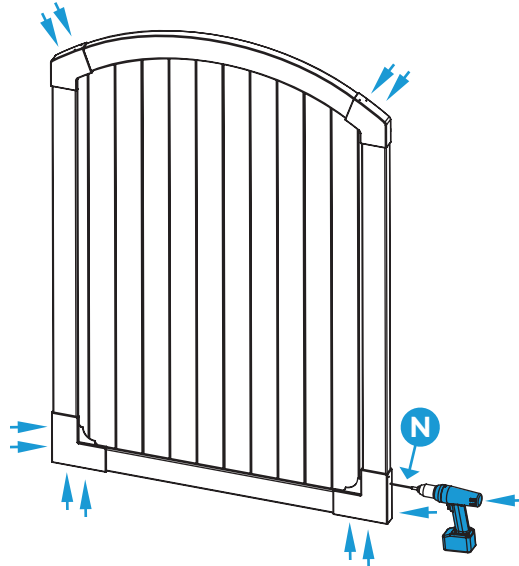
▶ Slide the gate arch with brackets over the privacy boards and vertical stiles.



STEP 5: FASTEN BRACKETS

STEP 5.1

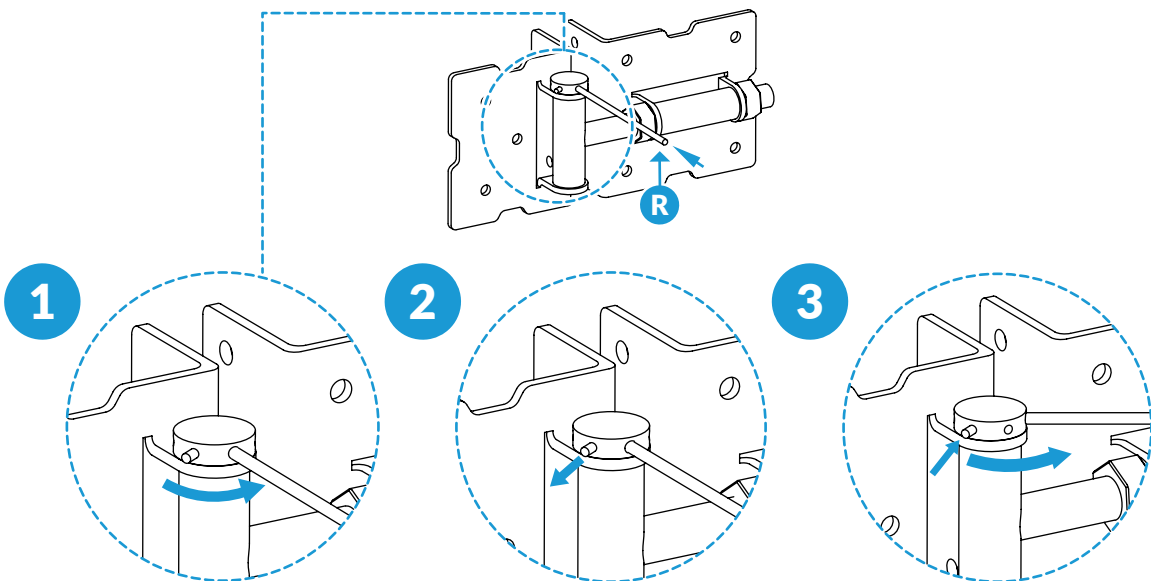
► Ensure your gate is square, and secure the gate brackets using (12) 1¼" Self-Drilling Stainless Steel Screws (N).



STEP 6: ATTACH GATE HINGES AND LATCH FINGER

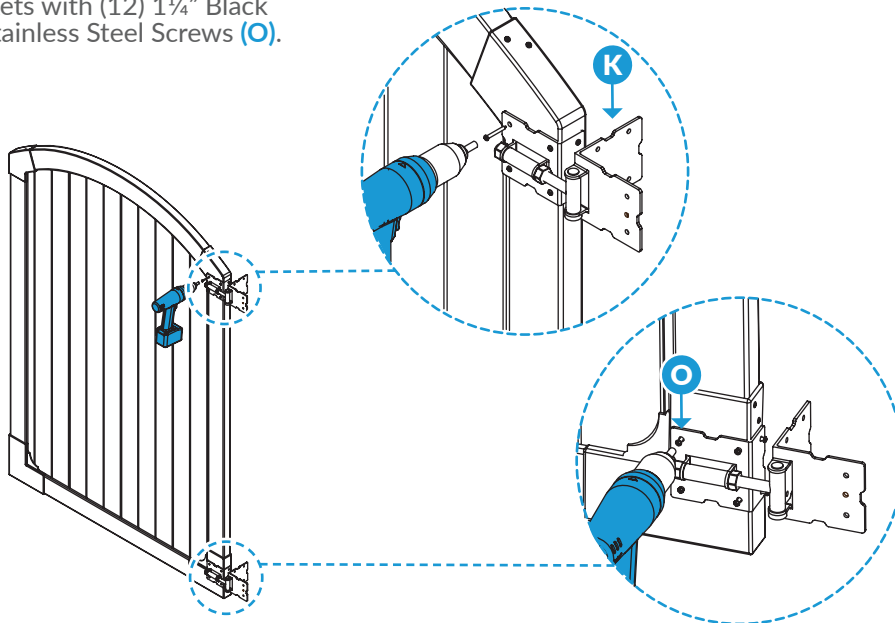
OPTIONAL STEP 6.1

1. Insert the 2¾" Tension Pin (R) into one of the holes in the spring chamber of the hinge. Rotate the tension pin until the small metal stopper is not touching the hinge.
2. Pull the small metal stopper out of its location.
3. Re-insert the stopper into a different hole to adjust the tension and remove the tension pin.

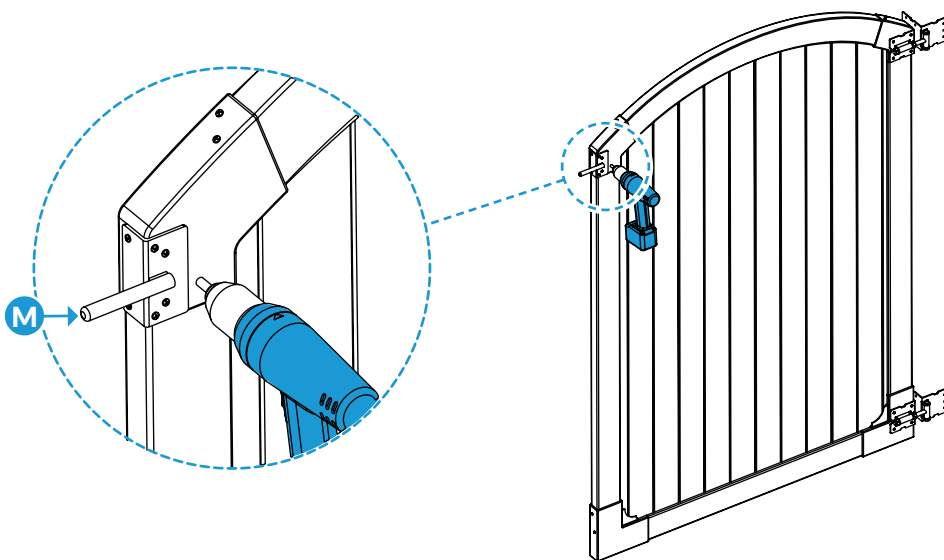


STEP 6.2

▶ Fasten the Gate Hinges (**K**) onto the gate brackets with (12) 1¼" Black Self-Drilling Stainless Steel Screws (**O**).

**STEP 6.3**

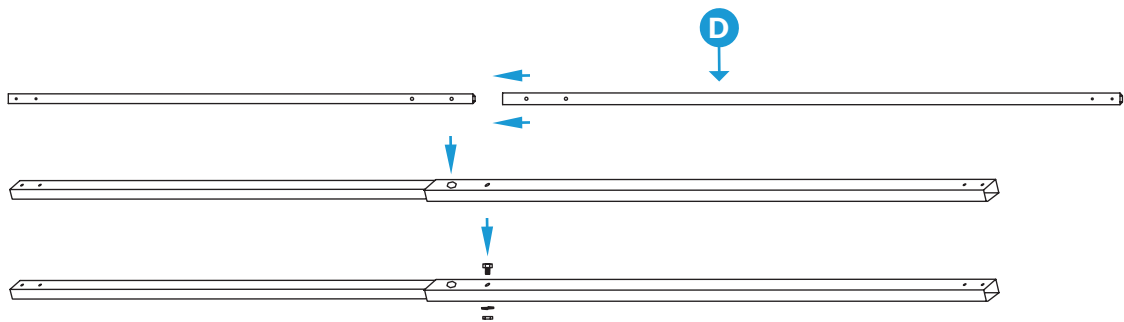
▶ Fasten the Latch Finger (**M**) onto the gate arch top bracket with the (6) 1¼" black self-drilling stainless steel screws.



STEP 7: ASSEMBLE AND FASTEN GATE BRACE

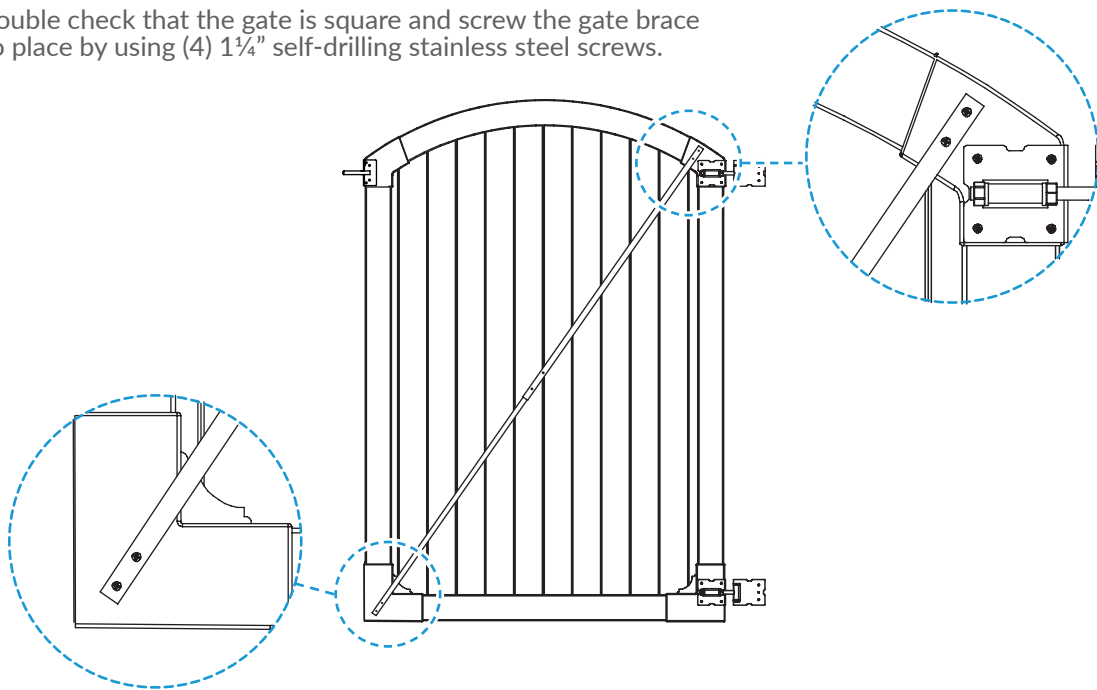
STEP 7.1

- ▶ Assemble the Gate Brace (D) by sliding the larger square tube over the smaller square tube. Align holes and install by using the included hardware.



STEP 7.2

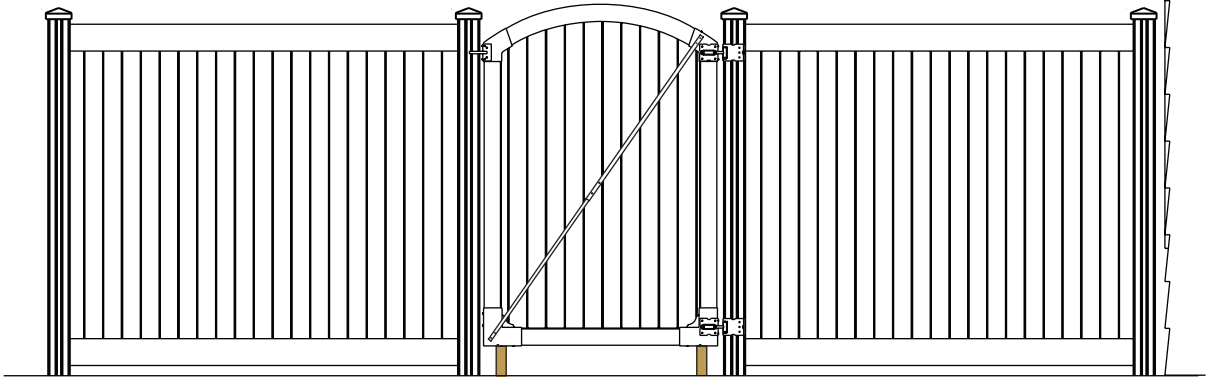
- ▶ Double check that the gate is square and screw the gate brace into place by using (4) 1 $\frac{1}{4}$ " self-drilling stainless steel screws.



STEP 8: ALIGN GATE AND SECURE HINGES TO POSTS

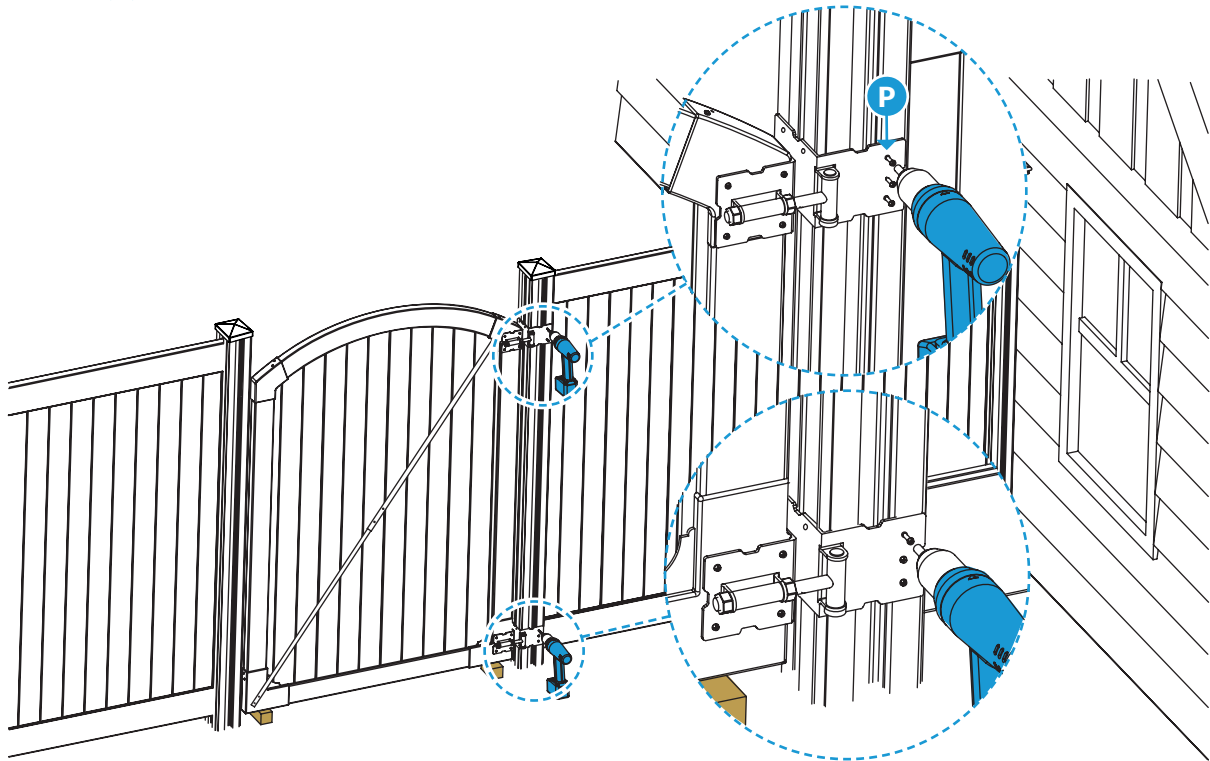
STEP 8.1

- ▶ Use wooden blocks as temporary spacers to rest the gate on during alignment and installation.



STEP 8.2

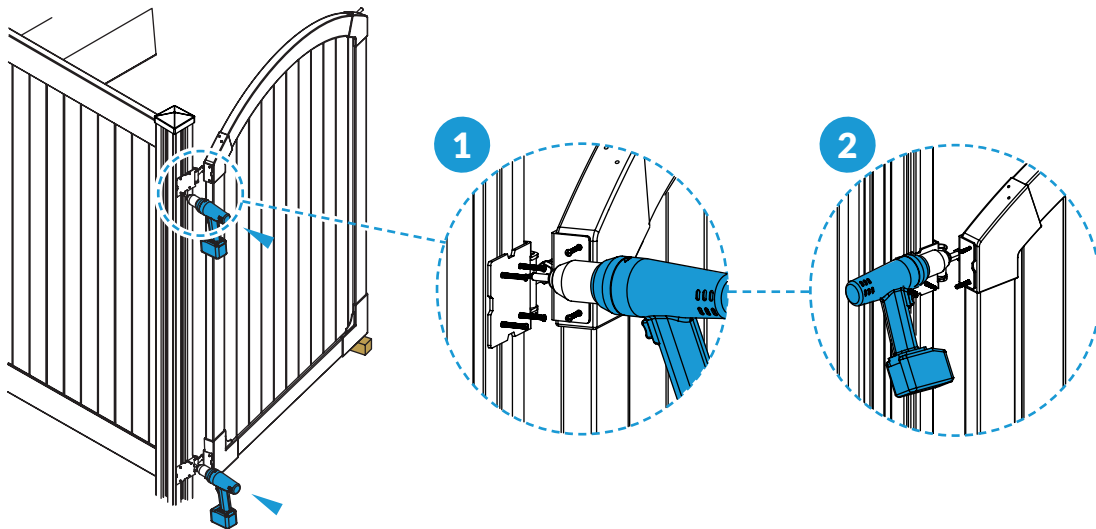
- ▶ Fasten gate hinges to the posts with (6) 2" Black Self-Drilling Stainless Steel Screws (P).



STEP 9: LEVEL GATE AND ADJUST HINGES

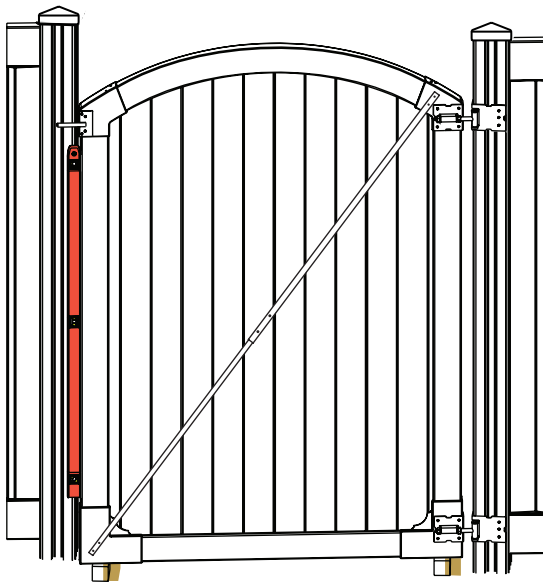
STEP 9.1

1. Fasten the hinges to the inside of the post with (8) total 2" black self-drilling stainless steel screws.
2. Fasten the hinges to the inside of the gate brackets with (4) total 1¼" black stainless steel screws.



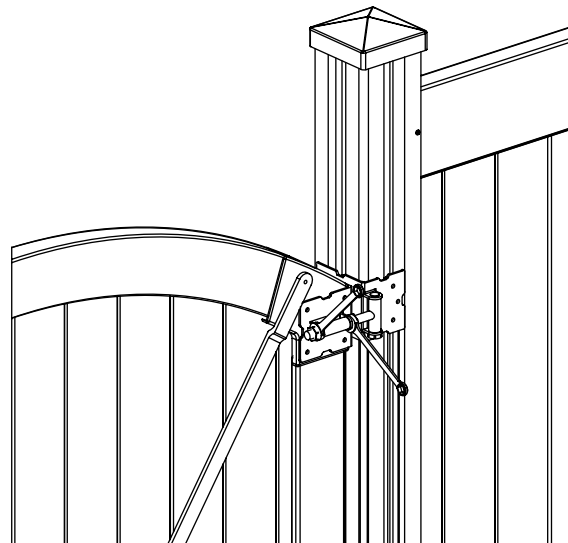
STEP 9.2

- ▶ Using a level, make sure that the gate fits and functions with its latching post.



STEP 9.3

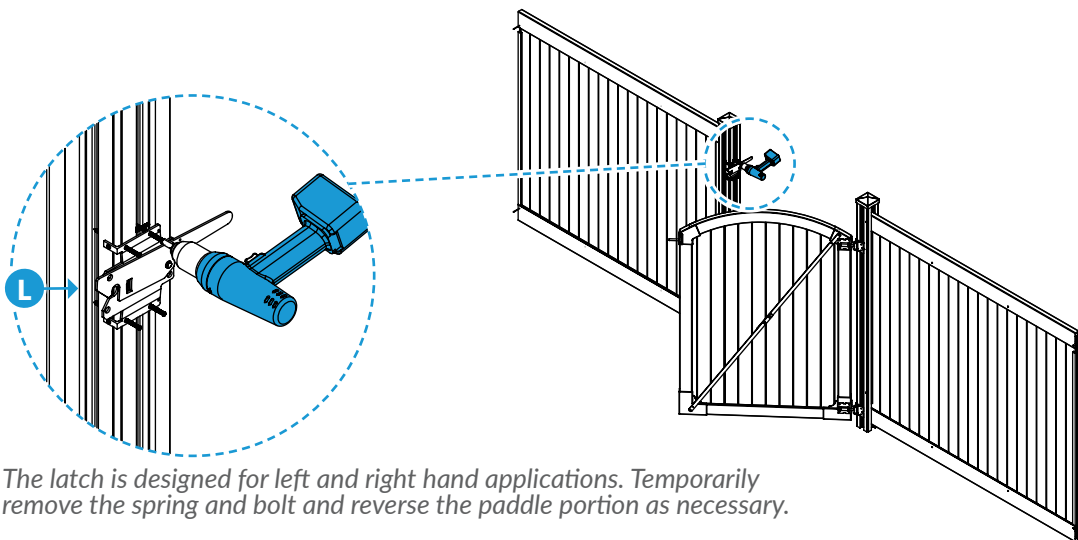
- ▶ The hinges can be adjusted moderately to level the gate's alignment with the post.



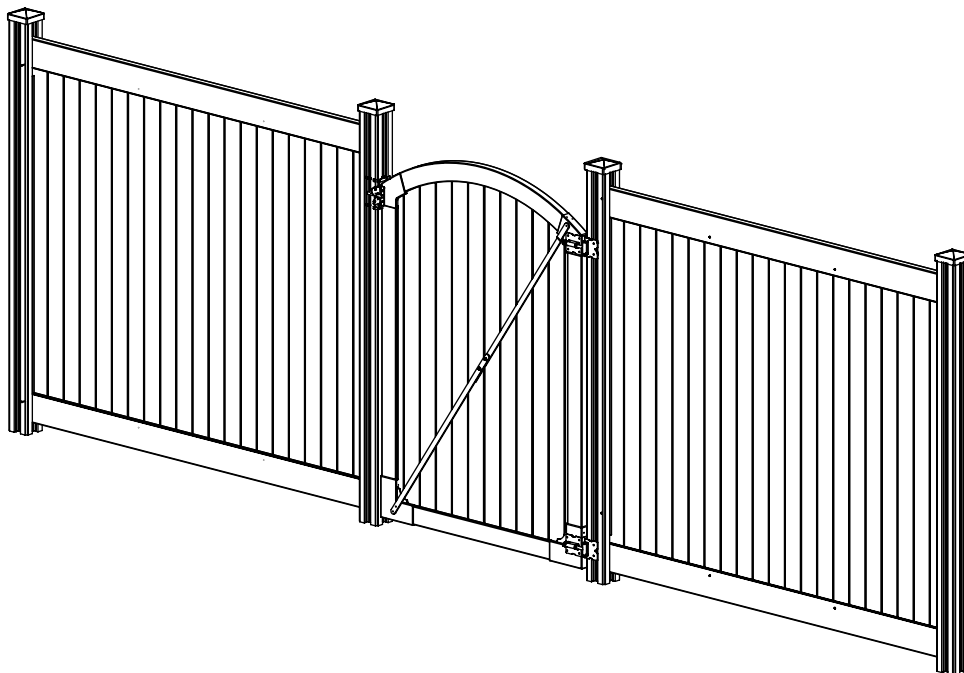
STEP 10: INSTALL GATE LATCH

STEP 10.1

▶ Align and fasten the Latch Catch (L) with (6) 1¼" black self-drilling stainless steel screws to fit and function with the gate finger.



▶ Congratulations! You did it! Go grab a beverage of your choice, admire your handiwork, and show us what you got by entering our annual photo contest!



WamBam

Fun Name. Serious Fence.

TRADITIONAL



6935 Reames Rd. Ste. K.
Charlotte, NC 28216



hmmm@wambamfence.com

704-892-5222
877-778-5733



WWW.WAMBAMFENCE.COM